

4

3

2

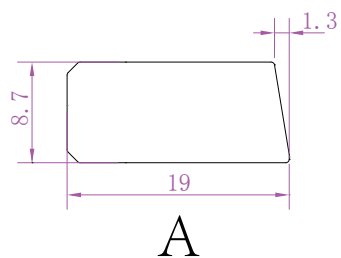
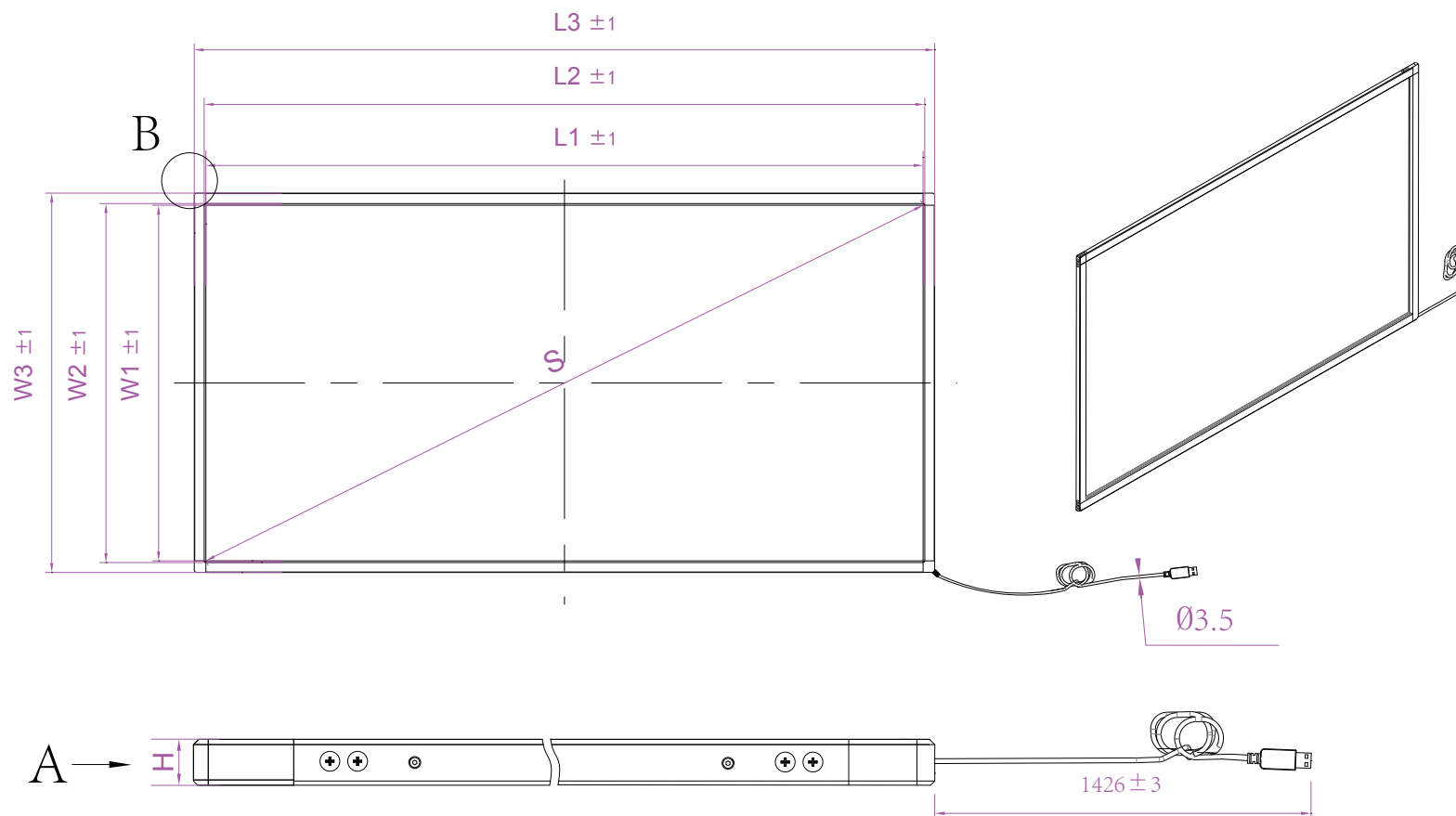
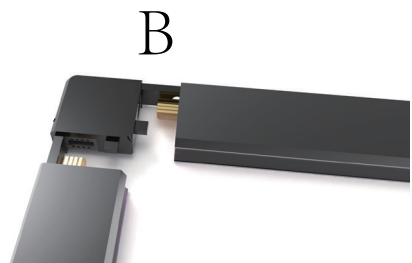
1

A

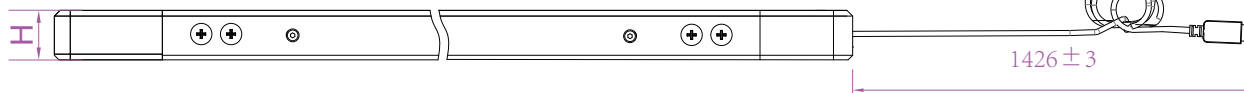
B

C

D



A



S(Inch/mm)	40.39"/1025.94
W1	507.9 ± 1
W2	510.5 ± 1
W3	545.9 ± 1
L1	891.4 ± 1
L2	894 ± 1
L3	929.4 ± 1
H	8.7 ± 0.2



Anti-Sunlight, No Blind Zone For Any Size



X Slim Series							
Material:	aluminum	Unit:	mm	Date:		Rev:	1.0
Draft by:				Approved by:			

4

3

2

1