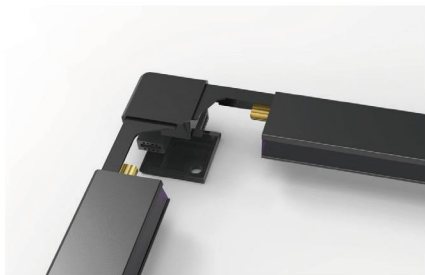
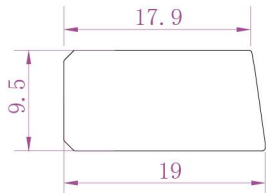
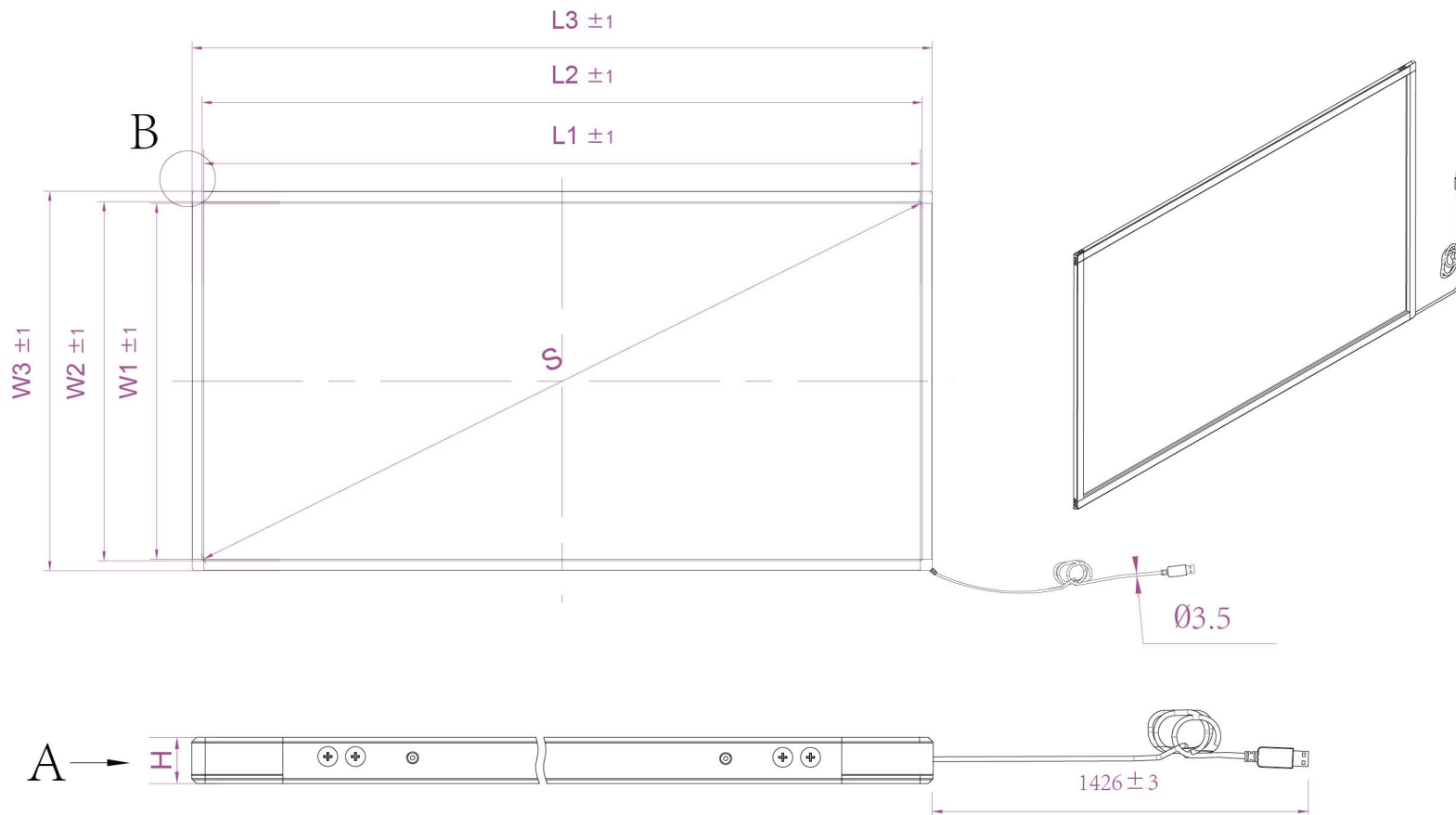


PT001134

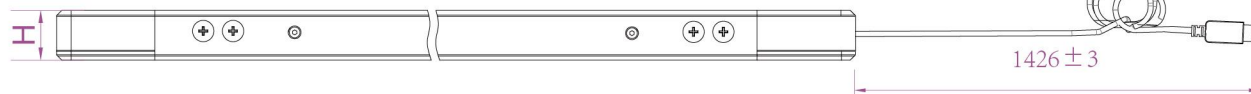


B



A

A



S(Inch/mm)	<b>94.13"/2390.85</b>
W1	<b>1174.1 ± 1</b>
W2	<b>1176.3 ± 1</b>
W3	<b>1212.1 ± 1</b>
L1	<b>2082.7 ± 1</b>
L2	<b>2084.9 ± 1</b>
L3	<b>2120.7 ± 1</b>
H	<b>9.5 ± 0.2</b>



Anti-Sunlight, No Blind Zone For Any Size

### X Slim Series

Material	aluminum	Unit	mm	Date	2016-07-26	Memo	
Draft:		Accepted:			Approved:		

