

4

3

2

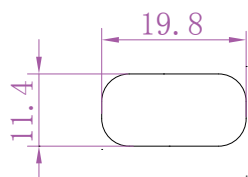
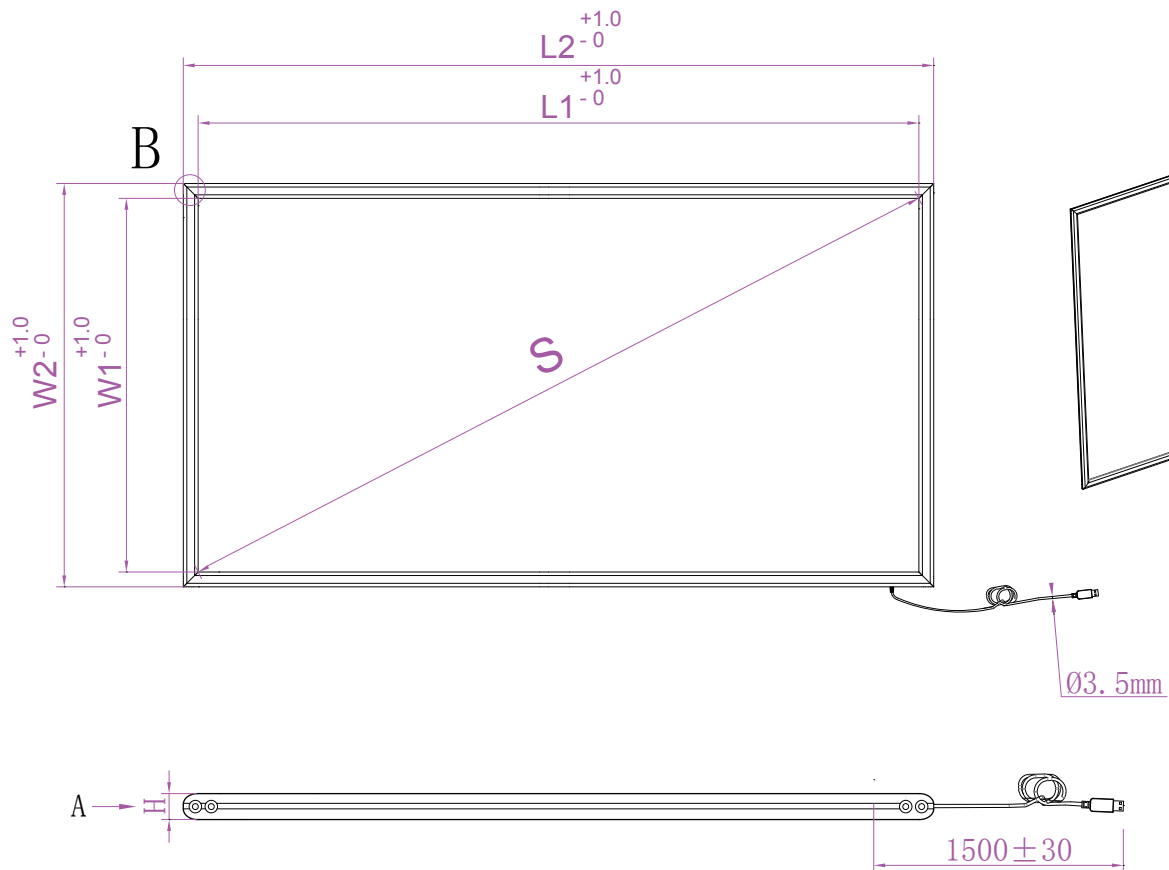
1

A

B

C

D



A

S(Inch/mm)	32.25"/819.23
W1	405.2(+1/-0)
W2	444.8(+1/-0)
L1	712(+1/-0)
L2	751.6(+1/-0)
H	11.4 ±0.2



Anti-Sunlight, No Blind Zone For Any Size



Material:	plastic	Unit:	mm	Date:		Rev:	1.0
Draft by:				Approved by:			

4

3

2

1