

4

3

2

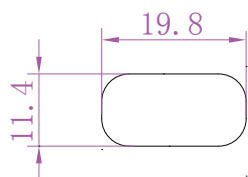
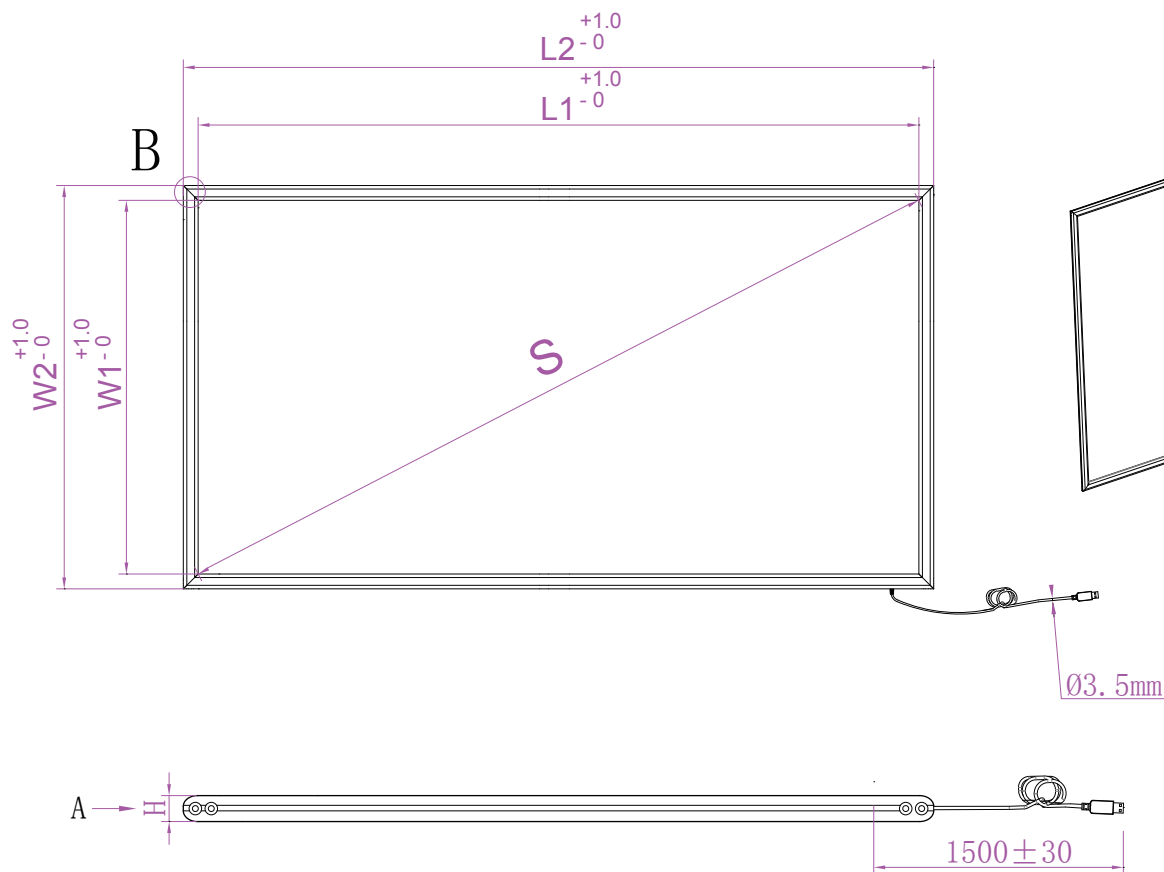
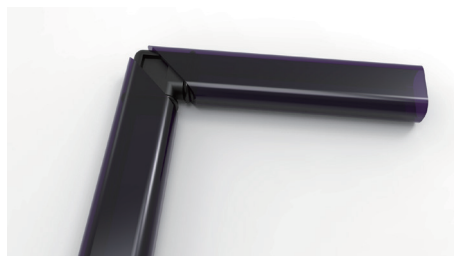
1

A

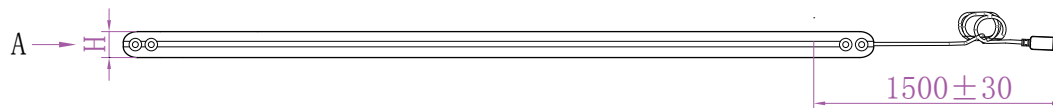
B

C

D



A



S(Inch/mm)	50.69"/1287.53
W1	635.3(+1/-0)
W2	674.9(+1/-0)
L1	1119.1(+1/-0)
L2	1158.7(+1/-0)
H	11.4 ±0.2



Anti-Sunlight, No Blind Zone For Any Size



Material:	plastic	Unit:	mm	Date:		Rev:	1.0
Draft by:		Approved by:					

4

3

2

1