

4

3

2

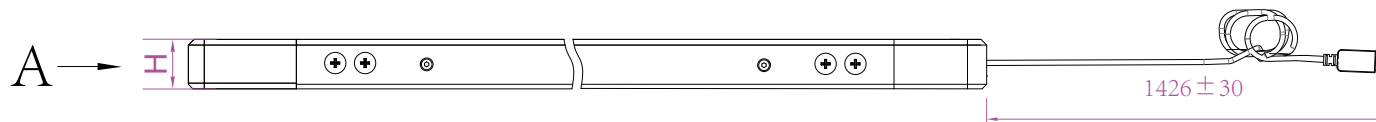
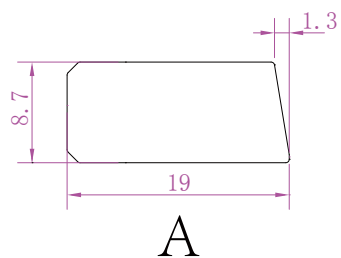
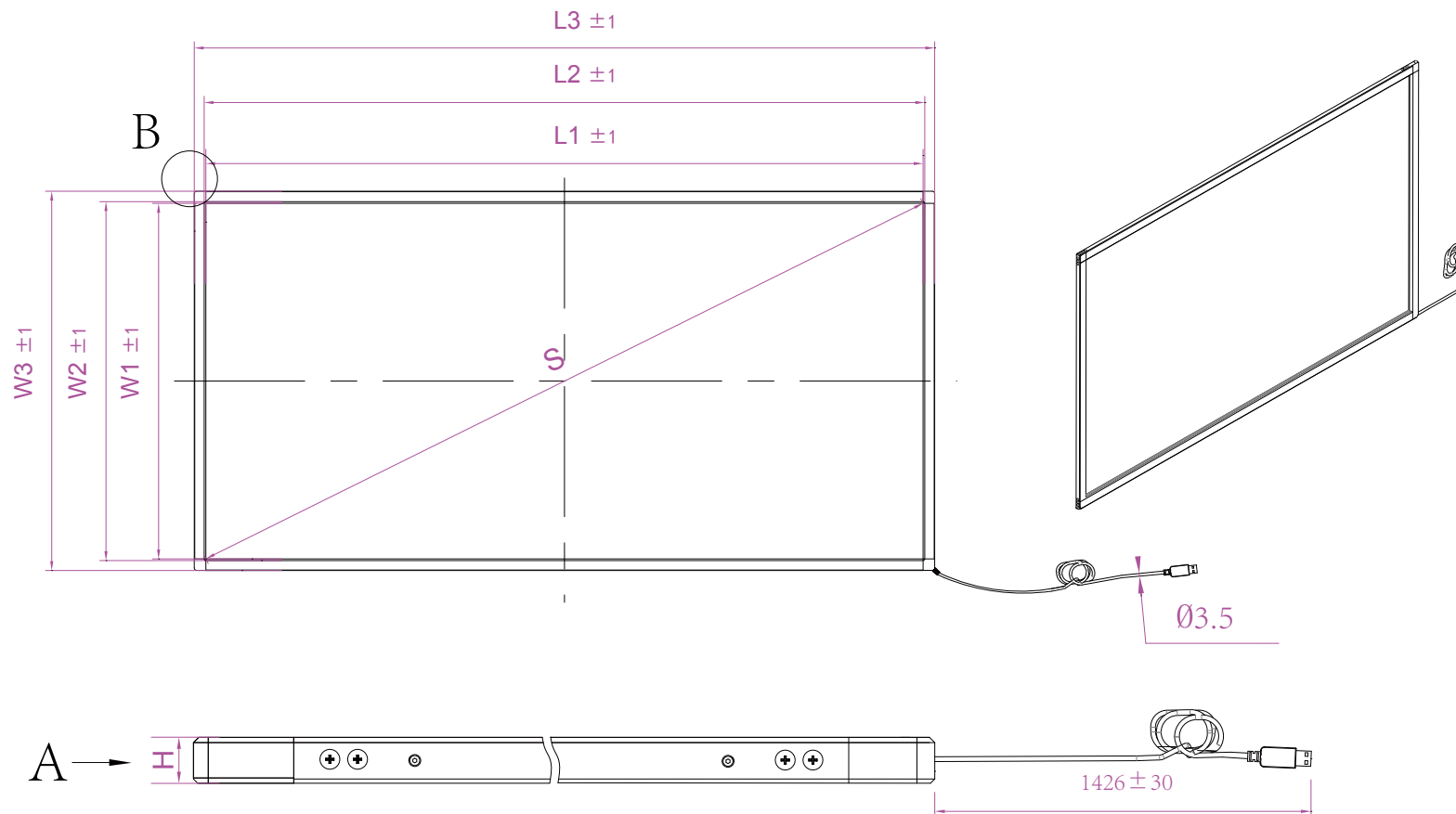
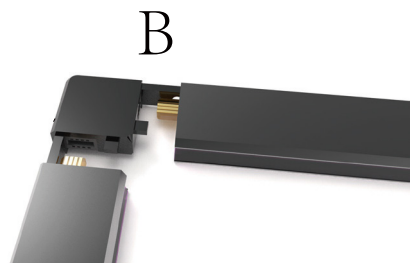
1

A

B

C

D



S(Inch/mm)	26.13"/663.72
W1	$325 \pm 1$
W2	$327.6 \pm 1$
W3	$363 \pm 1$
L1	$578.7 \pm 1$
L2	$581.3 \pm 1$
L3	$616.7 \pm 1$
H	$8.7 \pm 0.2$



Anti-Sunlight, No Blind Zone For Any Size



X Slim Series							
Material:	aluminum	Unit:	mm	Date:		Rev:	1.0
Draft by:				Approved by:			

4

3

2

1