

4

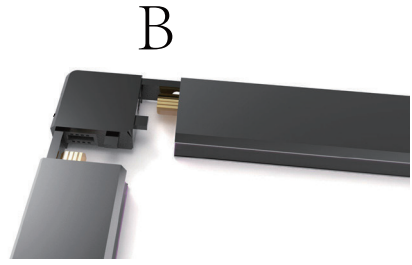
3

2

1

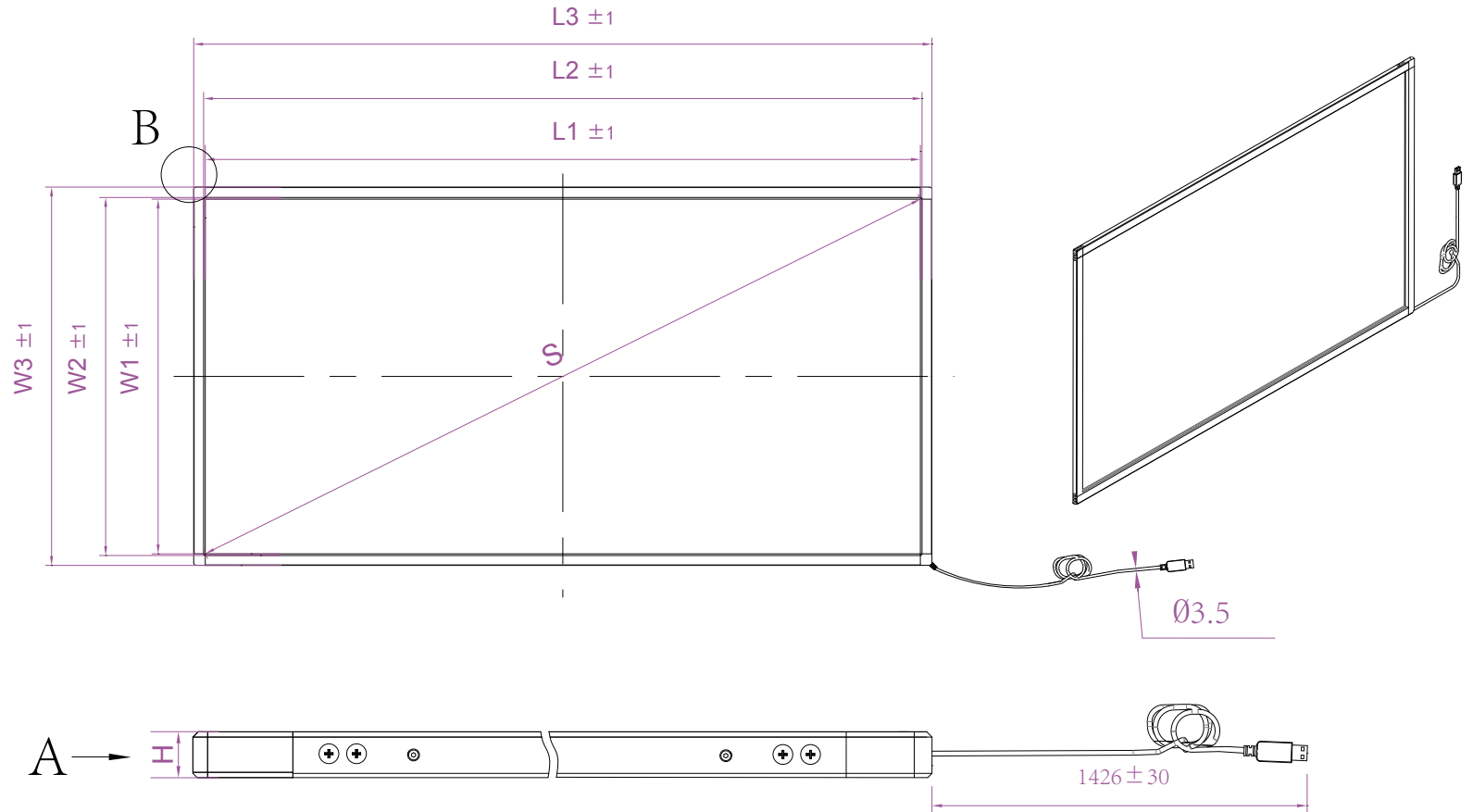
A

A



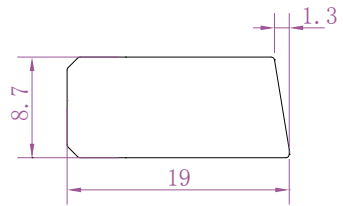
B

B



B

B



A

A

C

C

S(Inch/mm)	49.64"/1260.86
W1	$620.0 \pm 1$
W2	$622.6 \pm 1$
W3	$658.0 \pm 1$
L1	$1097.9 \pm 1$
L2	$1100.5 \pm 1$
L3	$1135.9 \pm 1$
H	$8.7 \pm 0.2$



Anti-Sunlight, No Blind Zone For Any Size



X Slim Series

Material:	aluminum	Unit:	mm	Date:		Rev:	1.0
Draft by:		Approved by:					

D

D

4

3

2

1