

4

3

2

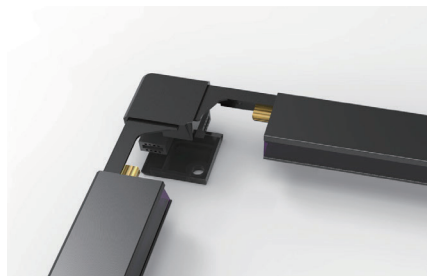
1

A

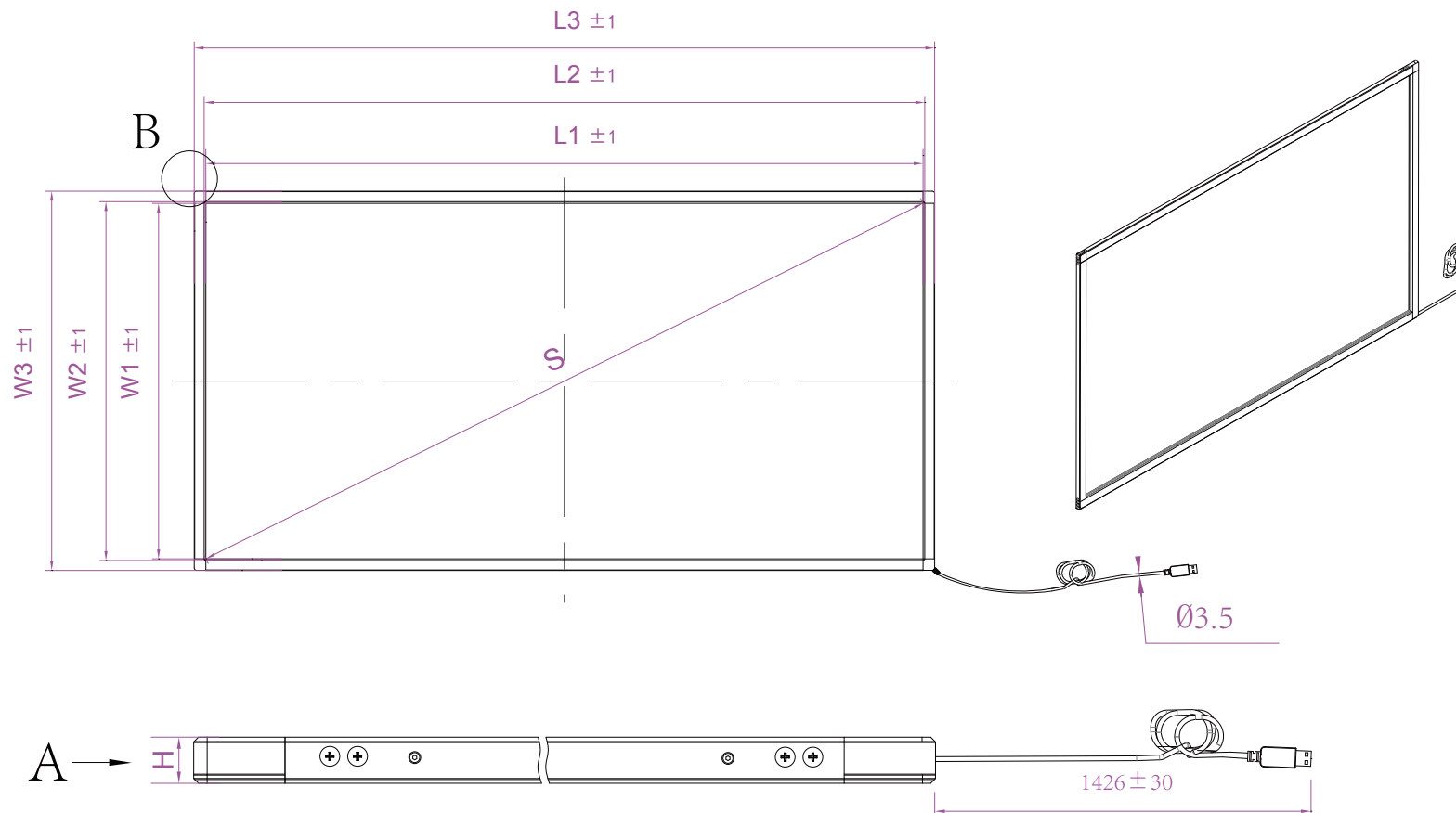
B

C

D

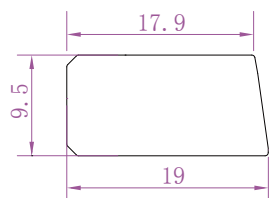


B



Ø3.5

1426 ± 30



A

S(Inch/mm)	82.20"/2087.81
W1	1027.1 ± 1
W2	1029.3 ± 1
W3	1065.1 ± 1
L1	1817.7 ± 1
L2	1819.9 ± 1
L3	1855.7 ± 1
H	9.5 ± 0.2



Anti-Sunlight, No Blind Zone For Any Size



X Slim Series

Material:	aluminum	Unit:	mm	Date:		Rev:	1.0
Draft by:				Approved by:			

4

3

2

1